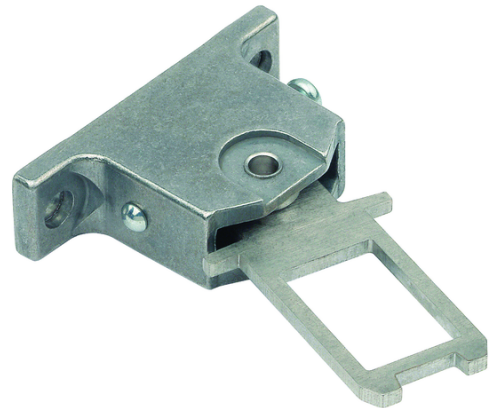


RADIUSBETAETIGER-S-LR-SN (Order no. 096838)

Hinged actuator S, left/right, for safety switch SGA/SGP/STA/STP/STM

- ▶ Actuator made of stainless steel
- ▶ Two safety screws included
- ▶ For doors hinged on the right and left



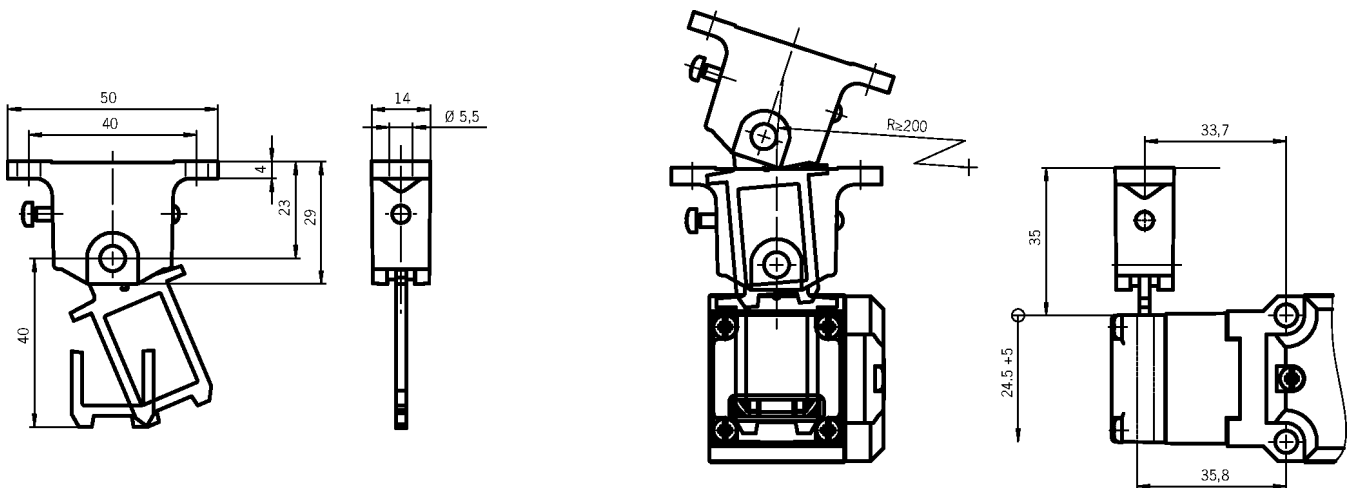
Notice

S-...-SN actuators must not be used in conjunction with insertion funnels. S-...-LN actuators must be used for insertion funnels.

Hinged actuators

For door radii less than 1000 mm a hinged actuator should be used. The spring action movement of the actuator prevents damage due to the actuator jamming in the actuating head. Depending on the movement of the guard, the actuator must be selected for left/right or top/bottom.

Dimensional drawings



Technical data

Approvals



Mechanical values and environment

Overtravel	max. 5 mm
------------	-----------

Door radius	min. 200 mm
-------------	-------------

Material	
----------	--

Screw	Stainless steel
-------	-----------------

Actuator	Stainless steel
----------	-----------------

Miscellaneous

Usability of insertion funnel	no
-------------------------------	----

Downloads

All documentation for this material can be found on our website:

<https://www.euchner.de/en-us/a/096838/?#downloads-tab>

Ordering data

Ordernumber	096838
Item designation	RADIUSBETAETIGER-S-LR-SN
Gross weight	0,038kg
Customs tariff number	85389099990
ECLASS	27-27-26-06 Actuator for safety-related position switch

Accessories

Mounting accessories

Mounting plates EMP-B2 for actuators for safety switches CTP, CTA, TP...A, STA, STP, TX and TZ



093458

EMP-B2

Safety screws M5 x 10

073455

M5X10-NIRO/V100

- ▶ Safety screws M5 x 10
- ▶ Packaging unit 100 pieces